

PARTS LIST

CAUTION

- The parts identified by the \triangle symbol are important for the safety . Whenever replacing these parts, be sure to use specified ones to secure the safety .
- The parts not indicated in this Parts List and those which are filled with lines --- in the Parts No. columns will not be supplied .
- P. W. Board Ass'y will not be supplied, but those which are filled with the Parts No. in the Parts No. columns will be supplied .

ABBREVIATIONS OF RESISTORS, CAPACITORS AND TOLERANCES

| RESISTORS | | CAPACITORS | |
|-----------|--|-----------------|---|
| C R | Carbon Resistor | C CAP. | Ceramic Capacitor |
| F R | Fusible Resistor | E CAP. | Electrolytic Capacitor |
| P R | Plate Resistor | M CAP. | Mylar Capacitor |
| V R | Variable Resistor | HV CAP. | High Voltage Capacitor |
| HV R | High Voltage Resistor | MF CAP. | Metalized Film Capacitor |
| MF R | Metal Film Resistor | MM CAP. | Metalized Mylar Capacitor |
| MG R | Metal Glazed Resistor | MP CAP. | Metalized Polystyrol Capacitor |
| MP R | Metal Plate Resistor | PP CAP. | Polypropylene Capacitor |
| OM R | Metal Oxide Film Resistor | PS CAP. | Polystyrol Capacitor |
| CMF R | Coating Metal Film Resistor | TF CAP. | Thin Film Capacitor |
| UNF R | Non-Flammable Resistor | MPP CAP. | Metalized Polypropylene Capacitor |
| CH V R | Chip Variable Resistor | TAN. CAP. | Tantalum Capacitor |
| CH MG R | Chip Metal Glazed Resistor | CH C CAP. | Chip Ceramic Capacitor |
| COMP. R | Composition Resistor | BP E CAP. | Bi-Polar Electrolytic Capacitor |
| LPTC R | Linear Positive Temperature Coefficient Resistor | CH AL E CAP. | Chip Aluminum Electrolytic Capacitor |
| | | CH AL BP CAP. | Chip Aluminum Bi-Polar Capacitor |
| | | CH TAN. E CAP. | Chip Tantalum Electrolytic Capacitor |
| | | CH AL BP E CAP. | Chip Tantalum Bi-Polar Electrolytic Capacitor |

| RESISTORS | | | | | | | | | |
|-----------|-----|-----|------|------|------|--------------|--------------|--------------|-------------|
| F | G | J | K | M | N | R | H | Z | P |
| ±1% | ±2% | ±5% | ±10% | ±20% | ±30% | +30% -10% | +50% -10% | +80% -20% | +100% 0% |

CONTENTS

| | |
|---|----|
| USING P.W. BOARD & REMOTE CONTROL UNIT | 34 |
| EXPLODED VIEW PARTS LIST | 34 |
| EXPLODED VIEW | 35 |
| PRINTED WIRING BOARD PARTS LIST | |
| MAIN PW BOARD ASS'Y | 36 |
| DAF PW BOARD ASS'Y | 39 |
| CRT SOCKET PW BOARD ASS'Y | 39 |
| FRONT PW BOARD ASS'Y | 40 |
| POWER SW PW BOARD ASS'Y | 40 |
| LF PW BOARD ASS'Y | 41 |
| PIP PW BOARD ASS'Y | 41 |
| AV SW PW BOARD ASS'Y | 41 |
| 3D Y/C MODULE PW BOARD ASSY | 42 |
| REMOTE CONTROL UNIT PARTS LIST (RM-C301G-2A) | 42 |
| PACKING / PACKING PARTS LIST | 43 |

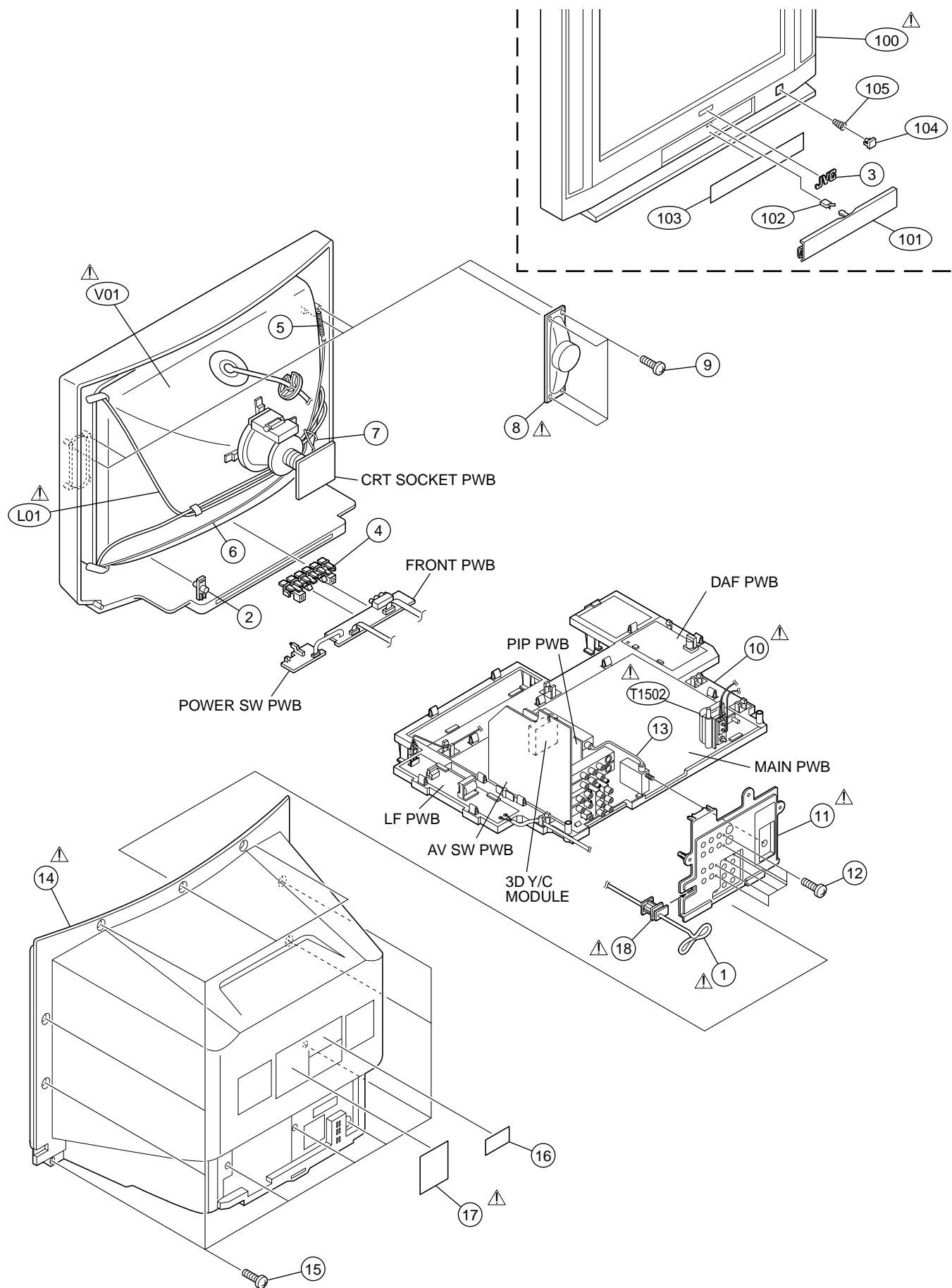
USING P.W. BOARD & REMOTE CONTROL UNIT

| P.W.B ASS'Y | Model | AV-27F802/SME |
|------------------------|-------|---------------|
| MAIN PW BOARD | | SAC-1541A-M2 |
| DAF PW BOARD | | SAC-2601A-M2 |
| CRT SOCKET PW BOARD | | SAC-3501A-M2 |
| FRONT PW BOARD | | SAC-8501A-M2 |
| POWER SW PW BOARD | | SAC-8601A-M2 |
| LF PW BOARD | | SAC-9501A-M2 |
| PIP PW BOARD | | SAC0P501A-M2 |
| AV SW PW BOARD | | SAC0S501A-M2 |
| 3D Y/C MODULE PW BOARD | | SAC-0Y501A |
| REMOTE CONTROL UNIT | | RM-C301G-2A |

EXPLODED VIEW PARTS LIST

| △ Ref.No. | Part No. | Part Name | Description | Local |
|-----------|----------------|-----------------|----------------------|-------|
| △ L01 | QQW0090-001 | DEG COIL | | |
| △ T1502 | QQH0084-001 | FBT | Within MAIN PWB | |
| △ V01 | A68QCP891X002 | CRT | Inc. DY | |
| △ 1 | QMPD200-200-JC | POWER CORD | CN90PW Within LF PWB | |
| 2 | LC30191-003A-A | REMOCON WINDOW | | |
| 3 | CM48006-008-C | JVC MARK | | |
| 4 | LC20217-004A-A | CONTROL KNOB | | |
| 5 | A48457-4-S | SPRING | | |
| 6 | WJY0016-001A | BRAIDED WIRE | | |
| 7 | WJY0013-003A | BRAIDED WIRE | | |
| △ 8 | CEBSS12D-04KJ2 | SPEAKER | (x2) SP01, SP02 | |
| 9 | GQ40014-001A-A | TAPPING SCREW | (x8) | |
| △ 10 | LC10883-001C-A | CHASSIS BASE | | |
| △ 11 | LC20626-001C-A | TERMINAL BOARD | | |
| 12 | QYSBSB3010Z | TAPPING SCREW | (x6) | |
| 13 | CHGY0031-0C | ANT CABLE ASSY | | |
| △ 14 | LC10880-001C-A | REAR COVER | | |
| 15 | QYSBSFG4016Z | TAPPING SCREW | (x12) | |
| 16 | LC30684-005A-A | BBE LABEL | | |
| △ 17 | GQ20001-001A-A | RATING LABEL | | |
| △ 18 | LC20106-001D-A | CORD CLAMP | | |
| △ 100 | LC10878-001C-A | FRONT CABI ASSY | Inc. No. 101-105 | |
| 101 | LC20628-001B-A | DOOR | | |
| 102 | CM48229-00A-C | DOOR LATCH | | |
| 103 | LC31238-001A-A | OPERATION SHEET | | |
| 104 | LC31237-001A-A | POWER KNOB | | |
| 105 | CM36481-002A-A | SPRING | | |

EXPLODED VIEW



PRINTED WIRING BOARD PARTS LIST**MAIN PW BOARD ASS'Y (SAC-1541A-M2)**

| △ | Symbol No. | Part No. | Part Name | Description | Local | △ | Symbol No. | Part No. | Part Name | Description | Local | |
|-----------------|------------|--------------|-----------|---------------|-------|-----------------|------------|--------------|---------------|---------------|-------------|---|
| RESISTOR | | | | | | RESISTOR | | | | | | |
| | R1001 | NRSA63J-473X | MG R | 47kΩ 1/16W J | | | R1435 | NRSA63J-682X | MG R | 6.8kΩ 1/16W J | | |
| | R1002-04 | NRSA63J-0R0X | MG R | 0.0Ω 1/16W J | | | R1440 | NRSA63J-101X | MG R | 100Ω 1/16W J | | |
| | R1011 | NRSA63J-820X | MG R | 82Ω 1/16W J | | | R1441 | NRSA63J-103X | MG R | 10kΩ 1/16W J | | |
| | R1012 | NRSA63J-182X | MG R | 1.8kΩ 1/16W J | | | R1501 | NRSA63J-0R0X | MG R | 0.0Ω 1/16W J | | |
| | R1013 | NRSA63J-562X | MG R | 5.6kΩ 1/16W J | | | R1502 | NRSA63J-271X | MG R | 270Ω 1/16W J | | |
| | R1014 | QRE121J-101Y | C R | 100Ω 1/2W J | | | R1503 | QRE121J-103Y | C R | 10kΩ 1/2W J | | |
| | R1015 | NRSA63J-180X | MG R | 18Ω 1/16W J | | | R1504 | QRL039J-122 | OM R | 1.2kΩ 3W J | | |
| | R1016 | NRSA63J-270X | MG R | 27Ω 1/16W J | | | R1505 | QRL039J-152 | OM R | 1.5kΩ 3W J | | |
| | R1018 | NRSA63J-104X | MG R | 100kΩ 1/16W J | | | R1507 | QRF074J-2R0 | UNF R | 2Ω | | |
| | R1020 | NRSA63J-332X | MG R | 3.3kΩ 1/16W J | | | R1511 | QRE121J-220Y | C R | 22Ω 1/2W J | | |
| | R1021 | NRSA63J-123X | MG R | 12kΩ 1/16W J | | | R1512 | QRE121J-681Y | C R | 680Ω 1/2W J | | |
| | R1022 | NRSA63J-331X | MG R | 330Ω 1/16W J | | | R1513 | QRL039J-273 | OM R | 27kΩ 3W J | | |
| | R1023 | NRSA63J-101X | MG R | 100Ω 1/16W J | | | R1522 | NRSA63J-221X | MG R | 220Ω 1/16W J | | |
| | R1024 | NRSA63J-102X | MG R | 1kΩ 1/16W J | | | R1523 | QRJ146J-333X | C R | 33kΩ 1/4W J | | |
| | R1025 | NRSA63J-561X | MG R | 560Ω 1/16W J | | | △ | R1525 | QRZ9011-470 | F R | 47Ω | |
| | R1026 | NRSA63J-331X | MG R | 330Ω 1/16W J | | | R1526 | QRE121J-272Y | C R | 2.7kΩ 1/2W J | | |
| | R1028 | NRSA63J-821X | MG R | 820Ω 1/16W J | | | R1527 | QRE121J-154Y | C R | 150kΩ 1/2W J | | |
| | R1029 | NRSA63J-333X | MG R | 33kΩ 1/16W J | | | R1528 | QRE121J-124Y | C R | 120kΩ 1/2W J | | |
| | R1030 | NRSA63J-683X | MG R | 68kΩ 1/16W J | | | R1529 | NRSA63J-331X | MG R | 330Ω 1/16W J | | |
| | R1038 | NRSA63J-272X | MG R | 2.7kΩ 1/16W J | | | △ | R1531 | QRJ146J-391X | C R | 390Ω 1/4W J | |
| | R1039 | NRSA63J-0R0X | MG R | 0.0Ω 1/16W J | | | R1532 | NRSA63J-273X | MG R | 27kΩ 1/16W J | | |
| | R1041 | NRSA63J-272X | MG R | 2.7kΩ 1/16W J | | | R1533-34 | NRSA63J-123X | MG R | 12kΩ 1/16W J | | |
| | R1042-43 | NRSA63J-102X | MG R | 1kΩ 1/16W J | | | △ | R1535 | NRSA02D-242X | MG R | 2.4kΩ | J |
| | R1044-46 | NRSA63J-0R0X | MG R | 0.0Ω 1/16W J | | | △ | R1537 | NRZ0032-7151X | MF R | 7.15kΩ | |
| | R1047 | NRSA63J-153X | MG R | 15kΩ 1/16W J | | | R1538 | NRSA63J-333X | MG R | 33kΩ 1/16W J | | |
| | R1048 | NRSA63J-154X | MG R | 150kΩ 1/16W J | | | R1543 | QRE121J-122Y | C R | 1.2kΩ 1/2W J | | |
| | R1101-02 | NRSA63J-101X | MG R | 100Ω 1/16W J | | | R1544 | QRE121J-392Y | C R | 3.9kΩ 1/2W J | | |
| | R1111 | NRSA63J-105X | MG R | 1MΩ 1/16W J | | | R1545 | QRE121J-822Y | C R | 8.2kΩ 1/2W J | | |
| | R1131 | NRSA63J-272X | MG R | 2.7kΩ 1/16W J | | | R1546 | NRSA63J-331X | MG R | 330Ω 1/16W J | | |
| | R1132 | NRSA63J-153X | MG R | 15kΩ 1/16W J | | | R1547 | NRSA63J-104X | MG R | 100kΩ 1/16W J | | |
| | R1133 | NRSA63J-683X | MG R | 68kΩ 1/16W J | | | R1548 | QRE121J-821Y | C R | 820Ω 1/2W J | | |
| | R1134 | NRSA63J-562X | MG R | 5.6kΩ 1/16W J | | | R1553 | QRL039J-390 | OM R | 39Ω 3W J | | |
| | R1135-39 | NRSA63J-102X | MG R | 1kΩ 1/16W J | | | R1601-06 | NRSA63J-750X | MG R | 75Ω 1/16W J | | |
| | R1140 | NRSA63J-562X | MG R | 5.6kΩ 1/16W J | | | R1607-09 | NRSA63J-332X | MG R | 3.3kΩ 1/16W J | | |
| | R1155 | NRSA63J-223X | MG R | 22kΩ 1/16W J | | | R1651-52 | NRSA63J-0R0X | MG R | 0.0Ω 1/16W J | | |
| | R1156 | NRSA63J-562X | MG R | 5.6kΩ 1/16W J | | | R1700-02 | NRSA63J-102X | MG R | 1kΩ 1/16W J | | |
| | R1201 | NRSA63J-333X | MG R | 33kΩ 1/16W J | | | R1704-05 | NRSA63J-472X | MG R | 4.7kΩ 1/16W J | | |
| | R1231 | NRSA63J-182X | MG R | 1.8kΩ 1/16W J | | | R1706-07 | NRSA63J-103X | MG R | 10kΩ 1/16W J | | |
| | R1237 | NRSA63J-392X | MG R | 3.9kΩ 1/16W J | | | R1708-09 | NRSA63J-101X | MG R | 100Ω 1/16W J | | |
| | R1238 | NRSA63J-473X | MG R | 47kΩ 1/16W J | | | R1711 | NRSA63J-0R0X | MG R | 0.0Ω 1/16W J | | |
| | R1241 | NRSA63J-332X | MG R | 3.3kΩ 1/16W J | | | R1714 | NRSA63J-102X | MG R | 1kΩ 1/16W J | | |
| | R1243 | NRSA63J-152X | MG R | 1.5kΩ 1/16W J | | | R1715 | NRSA63J-103X | MG R | 10kΩ 1/16W J | | |
| | R1281 | NRSA63J-182X | MG R | 1.8kΩ 1/16W J | | | R1721-22 | NRSA63J-102X | MG R | 1kΩ 1/16W J | | |
| | R1282 | NRSA63J-682X | MG R | 6.8kΩ 1/16W J | | | R1724-28 | NRSA63J-102X | MG R | 1kΩ 1/16W J | | |
| | R1283 | NRSA63J-681X | MG R | 680Ω 1/16W J | | | R1729 | NRSA63J-223X | MG R | 22kΩ 1/16W J | | |
| | R1286 | NRSA63J-472X | MG R | 4.7kΩ 1/16W J | | | R1731-32 | NRSA63J-101X | MG R | 100Ω 1/16W J | | |
| | R1287 | NRSA63J-101X | MG R | 100Ω 1/16W J | | | R1733-34 | NRSA63J-272X | MG R | 2.7kΩ 1/16W J | | |
| | R1288 | NRSA02J-471X | MG R | 470Ω 1/10W J | | | R1737 | NRSA63J-153X | MG R | 15kΩ 1/16W J | | |
| | R1289 | NRSA63J-154X | MG R | 150kΩ 1/16W J | | | R1738 | NRSA63J-102X | MG R | 1kΩ 1/16W J | | |
| | R1290 | NRSA02J-561X | MG R | 560Ω 1/10W J | | | R1739 | NRSA63J-272X | MG R | 2.7kΩ 1/16W J | | |
| | R1292 | NRSA63J-124X | MG R | 120kΩ 1/16W J | | | R1740 | NRSA63J-103X | MG R | 10kΩ 1/16W J | | |
| | R1293 | NRSA63J-224X | MG R | 220kΩ 1/16W J | | | R1741 | NRSA63J-0R0X | MG R | 0.0Ω 1/16W J | | |
| | R1301-03 | NRSA63J-222X | MG R | 2.2kΩ 1/16W J | | | R1742-43 | NRSA63J-103X | MG R | 10kΩ 1/16W J | | |
| | R1304-06 | NRSA63J-101X | MG R | 100Ω 1/16W J | | | R1745 | NRSA63J-0R0X | MG R | 0.0Ω 1/16W J | | |
| | R1318 | NRSA63J-472X | MG R | 4.7kΩ 1/16W J | | | R1748 | NRSA63J-103X | MG R | 10kΩ 1/16W J | | |
| | R1319 | NRSA63J-102X | MG R | 1kΩ 1/16W J | | | R1749-51 | NRSA63J-222X | MG R | 2.2kΩ 1/16W J | | |
| | R1354-55 | NRSA63J-0R0X | MG R | 0.0Ω 1/16W J | | | R1752 | NRSA63J-102X | MG R | 1kΩ 1/16W J | | |
| | R1356 | NRSA63J-123X | MG R | 12kΩ 1/16W J | | | R1753 | NRSA63J-0R0X | MG R | 0.0Ω 1/16W J | | |
| | R1359 | NRSA63J-103X | MG R | 10kΩ 1/16W J | | | R1754 | NRSA63J-102X | MG R | 1kΩ 1/16W J | | |
| | R1360 | NRSA63J-0R0X | MG R | 0.0Ω 1/16W J | | | R1755 | NRSA63J-153X | MG R | 15kΩ 1/16W J | | |
| | R1401 | NRSA63J-822X | MG R | 8.2kΩ 1/16W J | | | R1756 | NRSA63J-103X | MG R | 10kΩ 1/16W J | | |
| | R1403 | QRX01GJ-1R0 | MF R | 1.0Ω 1W J | | | R1762 | NRSA63J-102X | MG R | 1kΩ 1/16W J | | |
| | R1404 | QRE121J-100Y | C R | 10Ω 2W J | | | R1763 | NRSA63J-103X | MG R | 10kΩ 1/16W J | | |
| | R1405 | NRSA63J-103X | MG R | 10kΩ 1/16W J | | | R1764-68 | NRSA63J-221X | MG R | 220Ω 1/16W J | | |
| | R1407 | NRSA02J-0R0X | MG R | 0.0Ω 1/10W J | | | R1769-70 | NRSA63J-682X | MG R | 6.8kΩ 1/16W J | | |
| | R1411-12 | NRSA63J-103X | MG R | 10kΩ 1/16W J | | | R1772 | NRSA63J-103X | MG R | 10kΩ 1/16W J | | |
| | R1414 | QRL029J-221 | OM R | 220Ω 2W J | | | R1774 | NRSA63J-682X | MG R | 6.8kΩ 1/16W J | | |
| | R1417 | QRE121J-180Y | C R | 18Ω 1/2W J | | | R1775 | NRSA63J-333X | MG R | 33kΩ 1/16W J | | |
| | R1431 | QRE121J-272Y | C R | 2.7kΩ 1/2W J | | | R1776 | NRSA63J-123X | MG R | 12kΩ 1/16W J | | |
| | R1432 | NRSA63J-104X | MG R | 100kΩ 1/16W J | | | R1777 | NRSA63J-103X | MG R | 10kΩ 1/16W J | | |
| | R1433 | NRSA63J-473X | MG R | 47kΩ 1/16W J | | | R1778 | NRSA63J-682X | MG R | 6.8kΩ 1/16W J | | |
| | R1434 | NRSA63J-822X | MG R | 8.2kΩ 1/16W J | | | R1790 | NRSA63J-273X | MG R | 27kΩ 1/16W J | | |

| △ | Symbol No. | Part No. | Part Name | Description | Local | △ | Symbol No. | Part No. | Part Name | Description | Local |
|------------------|------------|--------------|-----------|---------------|-------|------------------|------------|--------------|-----------|----------------|-------|
| RESISTOR | | | | | | CAPACITOR | | | | | |
| | R1791 | NRSA63J-683X | MG R | 68kΩ 1/16W J | | | C1111 | QETN0JM-228Z | E CAP. | 2200μF 6.3V M | |
| | R1792 | NRSA63J-103X | MG R | 10kΩ 1/16W J | | | C1112 | NCB31HK-103X | C CAP. | 0.01μF 50V K | |
| | R1793-95 | NRSA63J-331X | MG R | 330Ω 1/16W J | | | C1113 | QETN1HM-474Z | E CAP. | 0.47μF 50V M | |
| | R1798-99 | NRSA63J-103X | MG R | 10kΩ 1/16W J | | | C1114 | QETN1HM-105Z | E CAP. | 1μF 50V M | |
| | R1800 | NRSA63J-103X | MG R | 10kΩ 1/16W J | | | C1115 | QFV71HJ-104Z | MF CAP. | 0.1μF 50V J | |
| | R1806 | NRSA63J-102X | MG R | 1kΩ 1/16W J | | | C1116 | NCB21HK-104X | C CAP. | 0.1μF 50V K | |
| | R1810 | NRSA63J-0R0X | MG R | 0.0Ω 1/16W J | | | C1131-32 | NDC31HJ-100X | C CAP. | 10pF 50V J | |
| | R1811 | NRSA63J-473X | MG R | 47kΩ 1/16W J | | | C1133 | NDC31HJ-220X | C CAP. | 22pF 50V J | |
| | R1812 | NRSA63J-102X | MG R | 1kΩ 1/16W J | | | C1134 | NDC31HJ-100X | C CAP. | 10pF 50V J | |
| | R1814 | NRSA63J-104X | MG R | 100kΩ 1/16W J | | | C1135 | NDC31HJ-330X | C CAP. | 33pF 50V J | |
| | R1815 | NRSA63J-154X | MG R | 150kΩ 1/16W J | | | C1136 | QENC1CM-106Z | BP E CAP. | 10μF 16V M | |
| | R1816 | NRSA63J-0R0X | MG R | 0.0Ω 1/16W J | | | C1150 | NCF21CZ-105X | C CAP. | 1μF 16V Z | |
| | R1817 | NRSA63J-104X | MG R | 100kΩ 1/16W J | | | C1151 | NCB31HK-103X | C CAP. | 0.01μF 50V K | |
| | R1818 | NRSA63J-102X | MG R | 1kΩ 1/16W J | | | C1152 | QENC1HM-105Z | BP E CAP. | 1μF 50V M | |
| | R1821 | NRSA63J-104X | MG R | 100kΩ 1/16W J | | | C1201 | NDC31HJ-100X | C CAP. | 10pF 50V J | |
| | R1824 | NRSA63J-103X | MG R | 10kΩ 1/16W J | | | C1202 | QETN1HM-224Z | E CAP. | 0.22μF 50V M | |
| | R1827 | NRSA63J-102X | MG R | 1kΩ 1/16W J | | | C1203 | NCB31HK-222X | C CAP. | 2200pF 50V K | |
| | R1857 | QRG029J-330 | OM R | 33Ω 2W J | | | C1233 | NDC31HJ-560X | C CAP. | 56pF 50V J | |
| | R1858 | QRG029J-180 | OM R | 18Ω 2W J | | | C1237 | NCB31HK-103X | C CAP. | 0.01μF 50V K | |
| | R1860 | NRSA63J-562X | MG R | 5.6kΩ 1/16W J | | | C1281 | QFV71HJ-474Z | MF CAP. | 0.47μF 50V J | |
| | R1901 | QRF074K-R47 | UNF R | 0.47Ω | | | C1282 | QETN1CM-227Z | E CAP. | 220pF 16V M | |
| | R1909 | QRG01GJ-470 | OM R | 47Ω 1W J | | | C1283 | NCB31HK-103X | C CAP. | 0.01μF 50V K | |
| | R1911 | QRE121J-223Y | C R | 22kΩ 1/2W J | | | C1284 | QETN1HM-225Z | E CAP. | 2.2μF 50V M | |
| | R1912 | QRT029J-R18 | MF R | 0.18Ω 2W J | | | C1285 | NCB31HK-272X | C CAP. | 2700pF 50V K | |
| | R1913 | QRT029J-R15 | MF R | 0.15Ω 2W J | | | C1286 | QETN1HM-106Z | E CAP. | 10μF 50V M | |
| | R1914 | QRK126J-681X | C R | 680Ω 1/2W J | | | C1287 | QETN1CM-107Z | E CAP. | 100μF 16V M | |
| | R1915 | QRE121J-270Y | C R | 27Ω 1/2W J | | | C1288 | NCB31HK-103X | C CAP. | 0.01μF 50V K | |
| | R1917 | QRK126J-332X | C R | 3.3kΩ 1/2W J | | | C1302 | NCB21HK-104X | C CAP. | 0.1μF 50V K | |
| | R1918 | QRE121J-222Y | C R | 2.2kΩ 1/2W J | | | C1352 | QETN1CM-336Z | E CAP. | 33μF 16V M | |
| | R1919 | QRE121J-684Y | C R | 680kΩ 1/2W J | | | C1354 | QFV71HJ-154Z | MF CAP. | 0.15μF 50V J | |
| | R1924 | QRE121J-222Y | C R | 2.2kΩ 1/2W J | | | C1391 | QETN1CM-107Z | E CAP. | 100μF 16V M | |
| | R1930 | QRE121J-223Y | C R | 22kΩ 1/2W J | | | C1392 | NCB31HK-103X | C CAP. | 0.01μF 50V K | |
| | R1939 | QRT039J-2R2 | MF R | 2.2Ω 3W J | | | C1393-95 | NCB21HK-104X | C CAP. | 0.1μF 50V K | |
| | R1940 | QRE121J-181Y | C R | 180Ω 1/2W J | | | C1401 | NDC21HJ-152X | C CAP. | 1500pF 50V J | |
| | R1941 | QRL029J-183 | OM R | 18kΩ 2W J | | | C1403 | NCB21HK-153X | C CAP. | 0.015μF 50V K | |
| | R1943 | NRSA63J-104X | MG R | 100kΩ 1/16W J | | | C1404 | QETN1VM-107Z | E CAP. | 100μF 35V M | |
| | R1944 | NRSA63J-122X | MG R | 1.2kΩ 1/16W J | | | C1405 | QCS32HJ-100Z | C CAP. | 10pF 500V J | |
| | R1951 | NRSA63J-473X | MG R | 47kΩ 1/16W J | | | C1407 | QFLC2AK-563Z | M CAP. | 0.056μF 100V K | |
| | R1952 | NRSA63J-102X | MG R | 1kΩ 1/16W J | | | C1410 | QFLC2AJ-104Z | M CAP. | 0.1μF 100V J | |
| | R1953 | QRE121J-151Y | C R | 150Ω 1/2W J | | | C1411 | QETN1HM-105Z | E CAP. | 1μF 50V M | |
| | R1972 | NRVA02D-102X | MF R | 1kΩ 1/10W D | | | C1415 | NCB21HK-104X | C CAP. | 0.1μF 50V K | |
| | R1973 | QRE121J-272Y | C R | 2.7kΩ 1/2W J | | | C1421 | QEHQ1VM-108 | E CAP. | 1000μF 35V M | |
| | R1975 | QRE121J-223Y | C R | 22kΩ 1/2W J | | | C1431 | QETN1HM-105Z | E CAP. | 1μF 50V M | |
| | R1977 | QRE121J-473Y | C R | 47kΩ 1/2W J | | | C1432 | QETN1EM-476Z | E CAP. | 47μF 25V M | |
| | R1978 | NRSA63J-333X | MG R | 33kΩ 1/16W J | | | C1501 | QCB32HK-151Z | C CAP. | 150pF 500V K | |
| CAPACITOR | | | | | | | C1502 | QCB32HK-331Z | C CAP. | 330pF 500V K | |
| | C1001 | QETN1HM-475Z | E CAP. | 4.7μF 50V M | | | C1503 | QETN2CM-105Z | E CAP. | 1μF 160V M | |
| | C1002 | QETN1HM-106Z | E CAP. | 10μF 50V M | | | C1504 | QEZ0203-107 | E CAP. | 100μF | |
| | C1003 | QETN1CM-108Z | E CAP. | 1000μF 16V M | | | C1505 | QENC2AM-225Z | BP E CAP. | 2.2μF 100V M | |
| | C1011-12 | NCB31HK-103X | C CAP. | 0.01μF 50V K | | | △ C1507 | QEZ0195-475Z | E CAP. | 4.7μF | |
| | C1014 | QETN1CM-107Z | E CAP. | 100μF 16V M | | | △ C1510 | QFZ0196-402 | MPP CAP. | 4000pF | |
| | C1015-16 | NCB31HK-103X | C CAP. | 0.01μF 50V K | | | △ C1513 | QFZ0196-113 | MPP CAP. | 0.011μF | |
| | C1021 | QFV71HJ-824Z | MF CAP. | 0.82μF 50V J | | | △ C1514 | QFP32GJ-183 | PP CAP. | 0.018μF 400V J | |
| | C1023 | QETN1CM-107Z | E CAP. | 100μF 16V M | | | △ C1515 | QFZ0197-394 | MPP CAP. | 0.39μF | |
| | C1024 | NCB31HK-103X | C CAP. | 0.01μF 50V K | | | C1516 | QCB32HK-561Z | C CAP. | 560pF 500V K | |
| | C1025 | NCB31HK-102X | C CAP. | 1000pF 50V K | | | C1521 | QETN2EM-106Z | E CAP. | 10μF 250V M | |
| | C1026 | QETN1HM-106Z | E CAP. | 10μF 50V M | | | C1523 | QEHR1EM-108Z | E CAP. | 1000μF 25V M | |
| | C1027 | NCB21HK-104X | C CAP. | 0.1μF 50V K | | | C1524 | QETN1EM-108Z | E CAP. | 1000μF 25V M | |
| | C1028 | QETN1HM-106Z | E CAP. | 10μF 50V M | | | C1525 | QETN1VM-107Z | E CAP. | 100μF 35V M | |
| | C1029 | QETN1CM-336Z | E CAP. | 33μF 16V M | | | C1526 | QFV21HJ-824Z | MF CAP. | 0.82μF 50V J | |
| | C1030 | NCB31HK-103X | C CAP. | 0.01μF 50V K | | | C1527 | QFV71HJ-104Z | MF CAP. | 0.1μF 50V J | |
| | C1034 | NCB31HK-103X | C CAP. | 0.01μF 50V K | | | C1531 | QCB32HK-102Z | C CAP. | 1000pF 500V K | |
| | C1037 | NCB31HK-103X | C CAP. | 0.01μF 50V K | | | C1533 | QETN1HM-106Z | E CAP. | 10μ 50V M | |
| | C1038 | QETN1CM-107Z | E CAP. | 100μF 16V M | | | C1601-06 | QETN1EM-476Z | E CAP. | 47μF 25V M | |
| | C1041 | QETN1HM-474Z | E CAP. | 0.47μF 50V M | | | C1607 | QETN1AM-477Z | E CAP. | 470μF 10V M | |
| | C1042 | QETN1HM-106Z | E CAP. | 10μF 50V M | | | C1608 | NCB31HK-103X | C CAP. | 0.01μF 50V K | |
| | C1043-44 | NDC31HJ-470X | C CAP. | 47pF 50V J | | | C1609-11 | QFV71HJ-104Z | MF CAP. | 0.1μF 50V J | |
| | C1045 | QETN1HM-106Z | E CAP. | 10μF 50V M | | | C1612 | QETN1HM-105Z | E CAP. | 1μF 50V M | |
| | C1046 | NCB31HK-103X | C CAP. | 0.01μF 50V K | | | C1663-64 | QETN1EM-476Z | E CAP. | 47μF 25V M | |
| | C1047 | NDC21HJ-330X | C CAP. | 33pF 50V J | | | C1700 | NCB31HK-102X | C CAP. | 1000pF 50V K | |
| | C1048 | NCB31HK-103X | C CAP. | 0.01μF 50V K | | | C1703 | NDC31HJ-181X | C CAP. | 180pF 50V J | |
| | | | | | | | C1706 | QETN1HM-105Z | E CAP. | 1μF 50V M | |

| △ | Symbol No. | Part No. | Part Name | Description | Local |
|--------------------|------------|--------------|-----------------|---------------|-------|
| CAPACITOR | | | | | |
| | C1707 | QETN1CM-107Z | E CAP. | 100µF 16V | M |
| | C1710 | NCB21EK-683X | C CAP. | 0.068µF 25V | K |
| | C1714 | QETN1HM-105Z | E CAP. | 1µF 50V | M |
| | C1721 | NCB31HK-103X | C CAP. | 0.01µF 50V | K |
| | C1722-23 | NDC31HJ-390X | C CAP. | 39pF 50V | J |
| | C1724 | NDC31HJ-471X | C CAP. | 470pF 50V | J |
| | C1726 | NDC21HJ-561X | C CAP. | 560pF 50V | J |
| | C1800 | QETN1CM-107Z | E CAP. | 100µF 16V | M |
| | C1801 | NCB21HK-104X | C CAP. | 0.1µF 50V | K |
| | C1802 | QETN1CM-107Z | E CAP. | 100µF 16V | M |
| | C1803 | QETN1HM-106Z | E CAP. | 10µF 50V | M |
| | C1804 | NDC31HJ-102X | C CAP. | 1000pF 50V | K |
| | C1805 | NCB31HK-153X | C CAP. | 0.015µF 50V | K |
| | C1806-07 | QETN1HM-106Z | E CAP. | 10µF 50V | M |
| | C1810 | QETN1HM-474Z | E CAP. | 0.47µF 50V | M |
| | C1811 | QETN1HM-105Z | E CAP. | 1µF 50V | M |
| | C1813 | NCB31HK-102X | C CAP. | 1000pF 50V | K |
| | C1816 | NCB31HK-153X | C CAP. | 0.015µF 50V | K |
| | C1851 | QETN1EM-107Z | E CAP. | 100µF 25V | M |
| | C1852 | QETN1CM-107Z | E CAP. | 100µF 16V | M |
| | C1853-54 | QETN1CM-227Z | E CAP. | 220µF 16V | M |
| | C1856 | QETN1CM-227Z | E CAP. | 220µF 16V | M |
| | C1857 | QETN1CM-477Z | E CAP. | 470µF 16V | M |
| △ | C1904 | QCZ9054-102 | C CAP. | 1000pF AC250V | Z |
| △ | C1905 | QCZ9054-102 | C CAP. | 1000pF AC250V | Z |
| △ | C1906 | QCZ9054-102 | C CAP. | 1000pF AC250V | Z |
| △ | C1907 | QEZ0169-477 | E CAP. | 470µF 200V | M |
| △ | C1908 | QCZ9054-102 | C CAP. | 1000pF AC250V | Z |
| | C1912 | QCZ0340-332 | C CAP. | 3300pF | |
| | C1913 | QFLC1HJ-471Z | M CAP. | 470pF 50V | J |
| | C1914 | QETN1HM-107Z | E CAP. | 100µF 50V | M |
| | C1916 | NDC31HJ-331X | C CAP. | 330pF 50V | J |
| | C1917 | NCB31HK-222X | C CAP. | 2200pF 50V | K |
| | C1918 | NCB21HK-104X | C CAP. | 0.1µF 50V | K |
| | C1919 | QFP32GJ-103 | PP CAP. | 0.01µF 400V | J |
| | C1925 | NRSA63J-0R0X | MG R | 0.0Ω 1/16W | J |
| | C1931 | QEZ0203-227 | E CAP. | 220µF 160V | M |
| | C1932 | QETN1CM-108Z | E CAP. | 1000µF 16V | M |
| | C1933 | QETM1EM-228 | E CAP. | 2200µF 25V | M |
| | C1934-35 | QETN1EM-108Z | E CAP. | 1000µF 25V | M |
| | C1937 | QCZ0340-102 | C CAP. | 1000pF | |
| | C1938 | QETM1EM-228 | E CAP. | 2200µF 25V | M |
| | C1939-40 | QCB32HK-152Z | C CAP. | 1500pF 500V | K |
| | C1942 | QETN1HM-105Z | E CAP. | 1µF 50V | M |
| | C1943 | QETN1CM-108Z | E CAP. | 1000µF 16V | M |
| | C1948 | QETN1EM-476Z | E CAP. | 47µF 25V | M |
| | C1951 | QETN1EM-108Z | E CAP. | 1000µF 25V | M |
| | C1971 | QETN1CM-107Z | E CAP. | 100µF 16V | M |
| | C1972 | QETN1EM-476Z | E CAP. | 47µF 25V | M |
| | C1973 | QETN1HM-106Z | E CAP. | 10µF 50V | M |
| △ | C1998 | QCZ9073-332 | C CAP. | 3300pF | |
| TRANSFORMER | | | | | |
| | T1501 | CE42034-002 | H.DRIVE TRANSF. | | |
| △ | T1502 | QQH0084-001 | H.V.TRANSF. | | |
| △ | T1921 | QQS0090-001 | SWITCH.TRANSF. | | |
| △ | T1951 | QQT0315-001 | POWER TRANSF. | | |
| COIL | | | | | |
| △ | L1001 | QQL244K-560Z | PEAKING COIL | 56µH | K |
| | L1012 | QQLZ014-R39 | PEAKING COIL | 0.39µH | |
| | L1021 | QRN143J-0R0X | C R | 0.0Ω 1/4W | J |
| | L1022 | QQL244K-220Z | PEAKING COIL | 22µH | K |
| | L1027 | QRN143J-0R0X | C R | 0.0Ω 1/4W | J |
| | L1041 | QRN143J-0R0X | C R | 0.0Ω 1/4W | J |
| | L1042 | QQL244K-220Z | PEAKING COIL | 22µH | K |
| | L1101 | QQL244K-470Z | COIL | 47µH | K |
| | L1232 | QQL244K-560Z | PEAKING COIL | 56µH | K |
| △ | L1511 | QQR1165-001 | LINEARITY COIL | | |
| | L1512 | QQLZ027-821 | CHOKE COIL | 820µH | |

| △ | Symbol No. | Part No. | Part Name | Description | Local |
|-------------------|------------|-----------------|------------------|-------------|-------|
| COIL | | | | | |
| △ | L1521 | QQLZ018-480 | HEATER CHOKE | 48µH | |
| | L1700 | QQL244K-4R7Z | COIL | 4.7µH | K |
| | L1810 | QQL244J-100Z | COIL | 10µH | J |
| | L1931 | QQL26AK-470Z | COIL | 47µH | K |
| | L1933-34 | QQL26AK-470Z | COIL | 47µH | K |
| | L1937 | QQL26AK-470Z | COIL | 47µH | K |
| DIODE | | | | | |
| | D1101-02 | UDZS8.2B-X | ZENER DIODE | | |
| | D1305-07 | MA153A-X | SI.DIODE | | |
| | D1352 | UDZS9.1B-X | ZENER DIODE | | |
| | D1353 | 1SS355-X | SI.DIODE | | |
| | D1401 | 1SR35-400A-T2 | SI.DIODE | | |
| | D1431 | 1SR35-400A-T2 | SI.DIODE | | |
| | D1432 | 1SS355-X | SI.DIODE | | |
| | D1501 | RH3G-F1 | SI.DIODE | | |
| | D1502 | RU3AM-LFC4 | SI.DIODE | | |
| | D1507 | RGP10J-5025-T3 | SI.DIODE | | |
| | D1521 | RH1S-T3 | SI.DIODE | | |
| | D1523-24 | EL1Z-T3 | SI.DIODE | | |
| | D1525-26 | 1SS81-T5 | SI.DIODE | | |
| | D1527 | 1SR124-400A-T2 | SI.DIODE | | |
| | D1529 | MA3051/H/-X | ZENER DIODE | | |
| △ | D1531 | MA4068N/Z1/-T2 | ZENER DIODE | | |
| | D1534 | NRSA02J-0R0X | MG R | 0.0Ω 1/10W | J |
| | D1535 | 1SS355-X | SI.DIODE | | |
| | D1537 | 1SR35-400A-T2 | SI.DIODE | | |
| | D1601-06 | UDZS9.1B-X | ZENER DIODE | | |
| | D1701-02 | 1SS355-X | SI.DIODE | | |
| | D1706-10 | MA3082/M/-X | ZENER DIODE | | |
| | D1711 | 1SS81-T2 | SI.DIODE | | |
| | D1712-15 | 1SS355-X | SI.DIODE | | |
| | D1716 | NRSA02J-0R0X | MG R | 0.0Ω 1/10W | J |
| | D1721-22 | 1SS355-X | SI.DIODE | | |
| | D1723-24 | MTZJ5.6B-T2 | ZENER DIODE | | |
| | D1800 | 1SS81-T2 | SI.DIODE | | |
| | D1801 | 1SS355-X | SI.DIODE | | |
| | D1810 | MA3082/M/-X | ZENER DIODE | | |
| | D1811 | 1SS355-X | SI.DIODE | | |
| △ | D1901 | RBV-406M | BRIDGE DIODE | | |
| | D1910 | MA700A-T2 | SI.DIODE | | |
| | D1911 | RGP10J-5025-T3 | SI.DIODE | | |
| | D1912 | RGP10J-5025-T3 | SI.DIODE | | |
| | D1913 | RGP10J-5025-T3 | SI.DIODE | | |
| | D1914 | 1SS355-X | SI.DIODE | | |
| | D1915 | SARS01-T2 | SI.DIODE | | |
| | D1917 | MA3270/H/-X | ZENER DIODE | | |
| | D1918 | MA3051/H/-X | ZENER DIODE | | |
| | D1920 | 1SS355-X | SI.DIODE | | |
| | D1930 | RGP10J-5025-T3 | SI.DIODE | | |
| | D1931 | RU30A-F1 | SI.DIODE | | |
| | D1933 | RU3YX-LFC4 | SI.DIODE | | |
| | D1935 | RU3YX-LFC4 | SI.DIODE | | |
| | D1937 | RU3YX-LFC4 | SI.DIODE | | |
| | D1941 | MA3300/M/-X | CHIP ZENER DIODE | | |
| | D1945 | 1SS355-X | SI.DIODE | | |
| | D1952-53 | 1SS355-X | SI.DIODE | | |
| | D1954-57 | 1SR35-400A-T2 | SI.DIODE | | |
| | D1958 | NRSA02J-0R0X | MG R | 0.0Ω 1/10W | J |
| | D1972 | MA3150/M/-X | ZENER DIODE | | |
| | D1973 | 1SS355-X | SI.DIODE | | |
| TRANSISTOR | | | | | |
| | Q1011 | 2SC5083/L-P/-T | SI.TRANSISTOR | | |
| | Q1021 | 2SC2412K/QR/-X | SI.TRANSISTOR | | |
| | Q1024 | 2SC2412K/QR/-X | SI.TRANSISTOR | | |
| | Q1025 | 2SA1037AK/QR/-X | SI.TRANSISTOR | | |
| | Q1041 | 2SA1037AK/QR/-X | SI.TRANSISTOR | | |
| | Q1131-33 | 2SC2412K/QR/-X | SI.TRANSISTOR | | |
| | Q1153-54 | DTC124EKA-X | DIGI.TRANSISTOR | | |
| | Q1232-33 | 2SC2412K/QR/-X | SI.TRANSISTOR | | |

DAF PW BOARD ASS'Y (SAC-2601A-M2)

| △ | Symbol No. | Part No. | Part Name | Description | Local |
|-------------------|------------|-----------------|-----------------|-------------|-------|
| TRANSISTOR | | | | | |
| | Q1352 | 2SC2412K/QR/-X | SI.TRANSISTOR | | |
| | Q1431 | 2SC2412K/QR/-X | SI.TRANSISTOR | | |
| | Q1440 | 2SC2412K/QR/-X | SI.TRANSISTOR | | |
| | Q1501 | 2SC4212/Z1/ | SI.TRANSISTOR | | |
| △ | Q1511 | 2SD2634-YD | SI.TRANSISTOR | | |
| | Q1531 | 2SC2785/JH/-T | SI.TRANSISTOR | | |
| | Q1532 | 2SA1037AK/QR/-X | SI.TRANSISTOR | | |
| | Q1541-42 | 2SA1037AK/QR/-X | SI.TRANSISTOR | | |
| △ | Q1543 | 2SD1408/OY/-LB | SI.TRANSISTOR | | |
| | Q1700 | 2SC2412K/QR/-X | SI.TRANSISTOR | | |
| | Q1701 | 2SA1037AK/QR/-X | SI.TRANSISTOR | | |
| | Q1703 | 2SA1037AK/QR/-X | SI.TRANSISTOR | | |
| | Q1705 | 2SA1037AK/QR/-X | SI.TRANSISTOR | | |
| | Q1706 | DTC363TK-X | DIGI.TRANSISTOR | | |
| | Q1711 | DTC124EKA-X | DIGI.TRANSISTOR | | |
| | Q1810 | DTC144EKA-X | DIGI.TRANSISTOR | | |
| | Q1941 | 2SC2412K/QR/-X | SI.TRANSISTOR | | |
| | Q1951 | 2SD1383K/AB/-X | SI.TRANSISTOR | | |
| | Q1971 | 2SA1123R/Z1-T | SI.TRANSISTOR | | |

IC

| | | | | | |
|---|--------|----------------|------------------|-----------|--|
| | IC1101 | TB1253N | I.C.(M) | | |
| | IC1151 | TC4066BF/N/-XE | I.C.(DIGI-MOS) | | |
| △ | IC1401 | LA7841 | I.C.(MONO-ANA) | | |
| | IC1601 | M52055FP-X | I.C.(MONO-ANA) | | |
| | IC1651 | PQ3RD13 | I.C.(MONO-ANA) | | |
| | IC1701 | MN1876478JL | I.C.(μ-COMP) | | |
| | IC1702 | AT24C04-27F802 | I.C.(MEMORY-OTH) | (SERVICE) | |
| | IC1703 | MM1437AF-X | I.C.(MONO-ANA) | | |
| | IC1851 | AN7812F | I.C.(MONO-ANA) | | |
| | IC1852 | AN7809F | I.C.(MONO-ANA) | | |
| | IC1853 | AN7805F | I.C.(MONO-ANA) | | |
| | IC1911 | STR-F6626/F3 | I.C.(HYBRID) | | |
| △ | IC1921 | SE135N | I.C.(HYBRID) | | |

OTHERS

| | | | | | |
|---|-----------|-----------------|------------------|------|--------|
| | CF1001 | QAX0349-001 | CERAMIC FILTER | | |
| | CF1021 | QAX0639-001Z | CERAMIC FILTER | | |
| | CF1041 | QAX0642-001Z | CERAMIC FILTER | | |
| | CL1004 | CM47653-001 | P.W.B.HOLDER | | |
| △ | CP1932 | ICP-N75-Y | I.C.PROTECT | | |
| △ | CP1933 | ICP-N75-Y | I.C.PROTECT | | |
| △ | CP1934 | ICP-N75-Y | I.C.PROTECT | | |
| △ | CP1936 | ICP-N75-Y | I.C.PROTECT | | |
| △ | F1905 | QMFZ034-5R0Z-J1 | FUSE | 5A | |
| △ | FR1521 | QQR129J-150 | C R | 15Ω | 1/2W J |
| △ | FR1523-24 | QRX029J-3R3 | MF R | 3.3Ω | 2W J |
| △ | FR1525 | QRZ9017-4R7 | F R | 4.7Ω | 1/2W |
| | J1601-02 | QNN0349-002 | PIN JACK | | |
| | J1810 | QNS0001-001 | JACK | | |
| | K1401 | QQR0621-002Z | BEADS CORE | | |
| | K1912 | QQR0582-001Z | BEADS CORE | | |
| | K1916-17 | QQR0582-001Z | BEADS CORE | | |
| | K1920 | QQR0872-002 | FERRITE BEADS | | |
| | K1931-33 | QQR0582-001Z | BEADS CORE | | |
| | K1935 | QQR0582-001Z | BEADS CORE | | |
| | K1937 | QQR0582-001Z | BEADS CORE | | |
| | K1939 | QQR0621-002Z | BEADS CORE | | |
| | LC1601-06 | NQR0169-001X | EMI FILTER | | |
| △ | PC1921 | TLP621(B) | I.C.(PH.COUPLER) | | |
| △ | RY1941 | QSK0120-001 | RELAY | | |
| △ | RY1951 | QSK0113-001 | RELAY | | |
| | SF1011 | QAX0324-002 | SAW FILTER | | |
| △ | TH1901 | CEK0007-002 | P.THERMISTOR | | |
| △ | TU1001 | QAU0134-001 | TUNER | | |
| | X1201 | CE40668-001Z | CRYSTAL | | |
| | X1700 | QAX0307-001 | CER.RESONATOR | | |

| △ | Symbol No. | Part No. | Part Name | Description | Local |
|-----------------|------------|--------------|-----------|-------------|---------|
| RESISTOR | | | | | |
| | R2701 | QRG01GJ-220 | OM R | 22Ω | 1W J |
| | R2702 | QRE121J-123Y | C R | 12kΩ | 1/2W J |
| | R2703 | QRZ0056-103Z | COMPR | 10kΩ | |
| | R2751 | NRSA63J-683X | MG R | 68kΩ | 1/16W J |
| | R2752 | NRSA63J-822X | MG R | 8.2kΩ | 1/16W J |
| | R2753 | NRSA63J-122X | MG R | 1.2kΩ | 1/16W J |
| | R2754 | NRSA63J-103X | MG R | 10kΩ | 1/16W J |
| | R2755 | NRSA63J-563X | MG R | 56kΩ | 1/16W J |
| | R2756 | NRSA63J-123X | MG R | 12kΩ | 1/16W J |
| | R2757 | NRSA63J-472X | MG R | 4.7kΩ | 1/16W J |
| | R2758 | NRSA63J-124X | MG R | 120kΩ | 1/16W J |
| | R2761-65 | QRE121J-184Y | C R | 180kΩ | 1/2W J |
| | R2771 | QRL039J-223 | OM R | 22kΩ | 3W J |

CAPACITOR

| | | | | | |
|--|-------|--------------|----------|---------|-------|
| | C2701 | QFV71HJ-124Z | MF CAP. | 0.12μF | 50V J |
| | C2751 | QFLC1HJ-563Z | M CAP. | 0.056μF | 50V J |
| | C2752 | QETN1EM-476Z | E CAP. | 47μF | 25V M |
| | C2753 | QFZ0122-103 | MPP CAP. | 0.01μF | |
| | C2761 | QFZ0122-682 | MPP CAP. | 6800pF | |
| | C2771 | QETN1HM-106Z | E CAP. | 10μF | 50V M |

TRANSFORMER

| | | | | | |
|--|-------|-------------|-------------|--|--|
| | T2701 | QQR1153-001 | DEF.TRANSF. | | |
|--|-------|-------------|-------------|--|--|

COIL

| | | | | | |
|--|-------|-------------|------------|--|--|
| | L2701 | QQLZ028-272 | CHOKE COIL | | |
|--|-------|-------------|------------|--|--|

DIODE

| | | | | | |
|--|----------|-------------|------------------|--|--|
| | D2761-62 | ES1F-LFG2 | SI.DIODE | | |
| | D2771 | MA3300/M/-X | CHIP ZENER DIODE | | |

TRANSISTOR

| | | | | | |
|--|----------|----------------|---------------|--|--|
| | Q2751-52 | 2SC2412K/QR/-X | SI.TRANSISTOR | | |
| | Q2753 | 2SC4632 | SI.TRANSISTOR | | |

CRT SOCKET PW BOARD ASS'Y (SAC-3501A-M2)

| △ | Symbol No. | Part No. | Part Name | Description | Local |
|-----------------|------------|--------------|-----------|-------------|---------|
| RESISTOR | | | | | |
| | R3108 | NRSA63J-0R0X | MG R | 0.0Ω | 1/16W J |
| | R3111 | NRSA63J-332X | MG R | 3.3kΩ | 1/16W J |
| | R3114 | QRJ146J-100X | C R | 10Ω | 1/4W J |
| | R3115-16 | NRSA63J-470X | MG R | 47Ω | 1/16W J |
| | R3117 | NRSA63J-102X | MG R | 1kΩ | 1/16W J |
| | R3119 | NRSA63J-121X | MG R | 120Ω | 1/16W J |
| | R3122 | QRZ9021-561 | F R | 560Ω | |
| | R3123 | NRSA63J-122X | MG R | 1.2kΩ | 1/16W J |
| | R3124 | NRSA63J-390X | MG R | 39Ω | 1/16W J |
| | R3125 | NRSA63J-5R6X | MG R | 5.6Ω | 1/16W J |
| | R3126-27 | NRSA63J-563X | MG R | 56kΩ | 1/16W J |
| | R3128 | NRSA63J-122X | MG R | 1.2kΩ | 1/16W J |
| | R3129 | NRSA63J-5R6X | MG R | 5.6Ω | 1/16W J |
| | R3130 | NRSA63J-390X | MG R | 39Ω | 1/16W J |
| | R3131 | NRSA63J-121X | MG R | 120Ω | 1/16W J |
| | R3132 | QRL029J-391 | OM R | 390Ω | 2W J |

| △ Symbol No. | Part No. | Part Name | Description | Local |
|-----------------|--------------|-----------|-------------|-------|
| RESISTOR | | | | |
| R3134 | NRSA63J-152X | MG R | 1.5kΩ 1/16W | J |
| R3136 | NRSA63J-333X | MG R | 33kΩ 1/16W | J |
| R3139 | NRSA63J-681X | MG R | 680Ω 1/16W | J |
| R3142 | NRSA63J-124X | MG R | 120kΩ 1/16W | J |
| R3143 | NRSA63J-681X | MG R | 680Ω 1/16W | J |
| R3145-46 | NRSA63J-5R6X | MG R | 5.6Ω 1/16W | J |
| R3151 | NRSA63J-473X | MG R | 47kΩ 1/16W | J |
| R3152-53 | NRSA63J-683X | MG R | 68kΩ 1/16W | J |
| R3154 | NRSA63J-473X | MG R | 47kΩ 1/16W | J |
| R3301-06 | NRSA63J-151X | MG R | 150Ω 1/16W | J |
| R3307-09 | NRSA63J-100X | MG R | 10Ω 1/16W | J |
| R3310-12 | QRG029J-153 | OM R | 15kΩ 2W | J |
| R3313-15 | QRG029J-183 | OM R | 18kΩ 2W | J |
| R3316-18 | NRSA63J-0R0X | MG R | 0.0Ω 1/16W | J |
| R3325-27 | QRC121K-102Z | COMP.R | 1kΩ 1/2W | K |
| R3331-33 | NRSA63J-122X | MG R | 1.2kΩ 1/16W | J |
| R3334 | NRSA63J-152X | MG R | 1.5kΩ 1/16W | J |
| R3335 | NRSA63J-391X | MG R | 390Ω 1/16W | J |
| R3336-38 | NRSA63J-0R0X | MG R | 0.0Ω 1/16W | J |
| R3351-53 | NRSA63J-102X | MG R | 1kΩ 1/16W | J |
| R3354 | NRSA63J-561X | MG R | 560Ω 1/16W | J |
| R3355 | NRSA63J-563X | MG R | 56kΩ 1/16W | J |
| R3361 | QRC121K-105Z | COMP.R | 1M Ω 1/2W | K |
| R3362 | QRC121K-102Z | COMP.R | 1kΩ 1/2W | K |
| R3363 | QRC121K-474Z | COMP.R | 470kΩ 1/2W | K |
| R3365 | QRE141J-0R0Y | C R | 0.0Ω 1/4W | J |

| | | | | |
|------------------|--------------|--------|-------------|---|
| CAPACITOR | | | | |
| C3101 | QETN1HM-106Z | E CAP. | 10μF 50V | M |
| C3109 | QETN1CM-107Z | E CAP. | 100μF 16V | M |
| C3110-11 | NDC31HJ-221X | C CAP. | 220pF 50V | J |
| C3113 | QETN2CM-106Z | E CAP. | 10μF 160V | M |
| C3114-15 | QCB32HK-472Z | C CAP. | 4700pF 500V | K |
| C3117 | QETN2CM-106Z | E CAP. | 10μF 160V | M |
| C3118 | QETN0JM-107Z | E CAP. | 100μF 6.3V | M |
| C3119 | QETN1AM-107Z | E CAP. | 100μF 10V | M |
| C3120 | QETN1AM-337Z | E CAP. | 330μF 10V | M |
| C3121 | QCS32HJ-151Z | C CAP. | 150pF 500V | J |
| C3122 | NDC31HJ-5R0X | C CAP. | 5.0pF 50V | J |
| C3125 | NRSA63J-0R0X | MG R | 0.0Ω 1/16W | J |
| C3151-52 | NCB21EK-104X | C CAP. | 0.1μF 25V | K |
| C3301-03 | NDC31HJ-471X | C CAP. | 470pF 50V | J |
| C3321-22 | QETN2EM-105Z | E CAP. | 1μF 250V | M |
| C3323 | QETN1CM-477Z | E CAP. | 470μF 16V | M |
| C3331-33 | NDC31HJ-561X | C CAP. | 560pF 50V | J |
| C3351 | QETN1CM-337Z | E CAP. | 330μF 16V | M |
| C3361 | QETN2EM-105Z | E CAP. | 1μF 250V | M |
| C3363 | QCZ0324-102 | C CAP. | 1000pF | |

| | | | | |
|-------------|--------------|------|------|---|
| COIL | | | | |
| L3301-03 | QQL244K-180Z | COIL | 18μH | K |
| L3304-06 | QQL244K-470Z | COIL | 47μH | K |

| | | | | |
|--------------|-----------|----------|--|--|
| DIODE | | | | |
| D3101 | 1SS355-X | SI.DIODE | | |
| D3105-06 | RH1S-T3 | SI.DIODE | | |
| D3301-03 | 1SS355-X | SI.DIODE | | |
| D3304-06 | 1SS82-T2 | SI.DIODE | | |
| D3331 | 1SS355-X | SI.DIODE | | |
| D3351 | 1SS355-X | SI.DIODE | | |
| D3361 | RM2C-LFA1 | SI.DIODE | | |

| | | | | |
|-------------------|----------------|---------------|--|--|
| TRANSISTOR | | | | |
| Q3103 | 2SA933AS/QR/-T | SI.TRANSISTOR | | |
| Q3105 | 2SC1740S/QR/-T | SI.TRANSISTOR | | |
| Q3106 | 2SA933AS/QR/-T | SI.TRANSISTOR | | |
| Q3107 | 2SA1964/DE/ | SI.TRANSISTOR | | |
| Q3108 | 2SC5248/DE/ | SI.TRANSISTOR | | |
| Q3109 | 2SC1740S/QR/-T | SI.TRANSISTOR | | |

| △ Symbol No. | Part No. | Part Name | Description | Local |
|-------------------|-----------------|---------------|-------------|-------|
| TRANSISTOR | | | | |
| Q3151 | 2SC1740S/QR/-T | SI.TRANSISTOR | | |
| Q3152 | 2SA933AS/QR/-T | SI.TRANSISTOR | | |
| Q3301-03 | 2SC5083/L-P/-T | SI.TRANSISTOR | | |
| Q3304-06 | 2SC5147/CDE/F43 | SI.TRANSISTOR | | |
| Q3351 | 2SA933AS/QR/-T | SI.TRANSISTOR | | |

| | | | | |
|---------------|--------------|--------------|--|--|
| OTHERS | | | | |
| K3102-05 | CE41492-001Z | CHOKO COIL | | |
| △ SK3001 | CE42670-001 | C.R.T.SOCKET | | |

FRONT PW BOARD ASS'Y (SAC-8501A-M2)

| △ Symbol No. | Part No. | Part Name | Description | Local |
|-----------------|--------------|-----------|-------------|-------|
| RESISTOR | | | | |
| R8401 | NRSA63J-750X | MG R | 75Ω 1/16W | J |
| R8402-03 | NRSA63J-224X | MG R | 220kΩ 1/16W | J |
| R8404-05 | NRSA63J-750X | MG R | 75Ω 1/16W | J |
| R8406 | NRSA63J-333X | MG R | 33kΩ 1/16W | J |
| R8702 | NRSA63J-472X | MG R | 4.7kΩ 1/16W | J |
| R8703 | NRSA63J-153X | MG R | 15kΩ 1/16W | J |
| R8705 | NRSA63J-472X | MG R | 4.7kΩ 1/16W | J |
| R8706 | NRSA63J-153X | MG R | 15kΩ 1/16W | J |

| | | | | |
|------------------|--------------|--------|------------|---|
| CAPACITOR | | | | |
| C8442-43 | QETN1HM-105Z | E CAP. | 1μF 50V | M |
| C8444-45 | QETN1HM-474Z | E CAP. | 0.47μF 50V | M |
| C8446 | NCB31HK-103X | C CAP. | 0.01μF 50V | K |

| | | | | |
|--------------|-----------|-------------|--|--|
| DIODE | | | | |
| D8402-06 | UDZS10B-X | ZENER DIODE | | |

| | | | | |
|---------------|--------------|-------------|------|--|
| OTHERS | | | | |
| J8401 | QNZ0453-001 | JACK | | |
| LC8401-02 | NQR0169-001X | EMI FILTER | | |
| S8702 | QSW0619-003Z | PUSH SWITCH | MENU | |
| S8703 | QSW0619-003Z | PUSH SWITCH | CH- | |
| S8704 | QSW0619-003Z | PUSH SWITCH | CH+ | |
| S8705 | QSW0619-003Z | PUSH SWITCH | VOL- | |
| S8706 | QSW0619-003Z | PUSH SWITCH | VOL+ | |

POWER SW PW BOARD ASS'Y (SAC-8601A-M2)

| △ Symbol No. | Part No. | Part Name | Description | Local |
|-----------------|--------------|-----------|-------------|-------|
| RESISTOR | | | | |
| R8101 | NRSA63J-561X | MG R | 560Ω 1/16W | J |
| R8107 | NRSA63J-332X | MG R | 3.3kΩ 1/16W | J |
| R8108 | NRSA63J-152X | MG R | 1.5kΩ 1/16W | J |

| | | | | |
|------------------|--------------|--------|----------|---|
| CAPACITOR | | | | |
| C8102 | QETN1EM-476Z | E CAP. | 47μF 25V | M |

| | | | | |
|--------------|-------------|--------|--|--|
| DIODE | | | | |
| D8101 | SLR-342VR3F | L.E.D. | | |

| | | | | |
|-------------------|-------------|-----------------|--|--|
| TRANSISTOR | | | | |
| Q8101-02 | DTA124EKA-X | DIGI.TRANSISTOR | | |

| △ Symbol No. | Part No. | Part Name | Description | Local |
|--------------|----------|-----------------|-------------|-------|
| IC | | | | |
| IC8101 | GP1U281Q | IFR DETECT UNIT | | |

| | | | | |
|---------------|-------------------------------|-----------------------------|-------|--|
| OTHERS | | | | |
| S8701 | LC30190-001B-A QSW0847-001 | L.E.D.HOLDER TACT SWITCH | POWER | |

LF PW BOARD ASS'Y (SAC-9501A-M2)

| △ Symbol No. | Part No. | Part Name | Description | Local |
|-----------------|--------------|-----------|-------------|-------|
| RESISTOR | | | | |
| R9997 | QRE121J-5R6Y | C R | 5.6 Ω 1/2W | J |
| △ R9998 | QRZ9041-275 | C R | 2.7M Ω | |
| R9999 | QRE121J-121Y | C R | 120Ω 1/2W | J |

| | | | | |
|------------------|-------------|---------|---------|--|
| CAPACITOR | | | | |
| △ C9901 | QFZ9067-104 | MM CAP. | 0.1μF | |
| △ C9902 | QFZ9067-473 | MM CAP. | 0.047μF | |
| △ C9903 | QFZ9067-104 | MM CAP. | 0.1μ | |
| △ C9904 | QCZ9052-102 | C CAP. | 0.001μF | |

| | | | | |
|---------------|----------------|-------------|--|--|
| OTHERS | | | | |
| △ CN90PW | QMPD200-200-JC | POWER CORD | | |
| △ F9901 | QMF0007-5R0J1 | FUSE | | |
| FC9901 | CEMG002-001Z | FUSE CLIP | | |
| △ LF9901 | QQR0527-004 | LINE FILTER | | |
| △ LF9902 | QQR1159-001 | LINE FILTER | | |
| △ VA9901 | ERZV10V621CS | VARISTOR | | |

PIP PW BOARD ASS'Y (SAC0P501A-M2)

| △ Symbol No. | Part No. | Part Name | Description | Local |
|-----------------|--------------|-----------|-------------|-------|
| RESISTOR | | | | |
| R0001-02 | NRSA63J-103X | MG R | 10kΩ 1/16W | J |
| R0003-04 | NRSA63J-101X | MG R | 100Ω 1/16W | J |
| R0005 | NRSA63J-0R0X | MG R | 0.0Ω 1/16W | J |
| R0011 | NRSA63J-0R0X | MG R | 0.0Ω 1/16W | J |
| R0121 | NRSA63J-0R0X | MG R | 0.0Ω 1/16W | J |
| R0301 | NRSA63J-473X | MG R | 47kΩ 1/16W | J |
| R0303 | NRSA63J-222X | MG R | 2.2kΩ 1/16W | J |
| R0304 | NRSA63J-473X | MG R | 47kΩ 1/16W | J |
| R0306 | NRSA63J-222X | MG R | 2.2kΩ 1/16W | J |
| R0307-08 | NRSA63J-332X | MG R | 3.3kΩ 1/16W | J |
| R0309 | NRSA63J-102X | MG R | 1kΩ 1/16W | J |
| R0311 | NRSA63J-101X | MG R | 100Ω 1/16W | J |
| R0313 | NRSA63J-101X | MG R | 100Ω 1/16W | J |
| R0314 | NRSA63J-0R0X | MG R | 0.0Ω 1/16W | J |
| R0316 | NRSA63J-331X | MG R | 330Ω 1/16W | J |
| R0317 | NRSA63J-0R0X | MG R | 0.0Ω 1/16W | J |
| R0331 | NRSA63J-0R0X | MG R | 0.0Ω 1/16W | J |
| R0337 | NRSA63J-0R0X | MG R | 0.0Ω 1/16W | J |
| R0343 | NRSA63J-0R0X | MG R | 0.0Ω 1/16W | J |

| | | | | |
|------------------|--------------|--------|------------|---|
| CAPACITOR | | | | |
| C0003-04 | QETN1HM-106Z | E CAP. | 10μF 50V | M |
| C0006 | QETN1HM-106Z | E CAP. | 10μF 50V | M |
| C0008 | QETN1EM-476Z | E CAP. | 47μF 25V | M |
| C0301-02 | NRSA63J-0R0X | MG R | 0.0Ω 1/16W | J |
| C0312-13 | NDC31HJ-270X | C CAP. | 27pF 50V | J |
| C0314 | QETN1HM-106Z | E CAP. | 10μF 50V | M |

| △ Symbol No. | Part No. | Part Name | Description | Local |
|------------------|--------------|-----------|-------------|-------|
| CAPACITOR | | | | |
| C0315 | NCB31HK-103X | C CAP. | 0.01μF 50V | K |
| C0316-18 | NCB21HK-104X | C CAP. | 0.1μF 50V | K |
| C0319 | QETN1HM-106Z | E CAP. | 10μF 50V | M |
| C0320 | NCB31HK-103X | C CAP. | 0.01μF 50V | K |
| C0321 | QETN1HM-105Z | E CAP. | 1μF 50V | M |
| C0322 | NCB31HK-103X | C CAP. | 0.01μF 50V | K |
| C0323 | QETN1HM-106Z | E CAP. | 10μF 50V | M |
| C0324-25 | NCB31HK-103X | C CAP. | 0.01μF 50V | K |

| | | | | |
|-------|--------------|--------|------------|---|
| C0326 | NCB21HK-104X | C CAP. | 0.1μF 50V | K |
| C0327 | QETN1HM-225Z | E CAP. | 2.2μF 50V | M |
| C0328 | NCB31HK-103X | C CAP. | 0.01μF 50V | K |
| C0329 | QETN1HM-225Z | E CAP. | 2.2μF 50V | M |
| C0330 | NCB31HK-103X | C CAP. | 0.01μF 50V | K |
| C0331 | NCB21HK-104X | C CAP. | 0.1μF 50V | K |
| C0333 | NDC31HJ-680X | C CAP. | 68pF 50V | J |

| | | | | |
|-------------|--------------|------|-------|---|
| COIL | | | | |
| L0302-04 | QQL244J-6R8Z | COIL | 6.8μH | J |

| | | | | |
|--------------|-----------|----------|--|--|
| DIODE | | | | |
| D0301 | 1SS133-T2 | SI.DIODE | | |

| | | | | |
|-------------------|----------------|---------------|--|--|
| TRANSISTOR | | | | |
| Q0301-03 | 2SC2412K/QR/-X | SI.TRANSISTOR | | |

| | | | | |
|-----------|------------|----------------|--|--|
| IC | | | | |
| IC0001 | AN7805F | I.C.(MONO-ANA) | | |
| IC0301 | SDA9389X-X | I.C.(DIG-MOS) | | |

| | | | | |
|---------------|--------------|---------|--|--|
| OTHERS | | | | |
| △ TU0001 | QAU0206-001 | TUNER | | |
| X0301 | QAX0521-001Z | CRYSTAL | | |

AV SW PW BOARD ASS'Y (SAC0S501A-M2)

| △ Symbol No. | Part No. | Part Name | Description | Local |
|-----------------|--------------|-----------|-------------|-------|
| RESISTOR | | | | |
| R0081 | NRSA63J-102X | MG R | 1kΩ 1/16W | J |
| R0082 | NRSA63J-682X | MG R | 6.8kΩ 1/16W | J |
| R0083 | NRSA63J-153X | MG R | 15kΩ 1/16W | J |
| R0084 | NRSA63J-683X | MG R | 68kΩ 1/16W | J |
| R0085 | NRSA63J-332X | MG R | 3.3kΩ 1/16W | J |
| R0086 | NRSA63J-333X | MG R | 33kΩ 1/16W | J |
| R0087 | NRVA02D-153X | MF R | 15kΩ 1/10W | D |
| R0088 | NRVA02D-152X | MF R | 1.5kΩ 1/10W | D |
| R0089 | NRSA63J-562X | MG R | 5.6kΩ 1/16W | J |
| R0090 | NRSA63J-563X | MG R | 56kΩ 1/16W | J |
| R0151-54 | NRSA63J-223X | MG R | 22kΩ 1/16W | J |
| R0155 | NRSA63J-0R0X | MG R | 0.0Ω 1/16W | J |
| R0157 | NRSA63J-0R0X | MG R | 0.0Ω 1/16W | J |
| R0159 | NRSA63J-103X | MG R | 10kΩ 1/16W | J |
| R0202 | NRSA63J-101X | MG R | 100Ω 1/16W | J |
| R0301-02 | NRSA63J-222X | MG R | 2.2kΩ 1/16W | J |
| R0303-04 | NRSA63J-221X | MG R | 220Ω 1/16W | J |
| R0305-06 | NRSA63J-0R0X | MG R | 0.0Ω 1/16W | J |
| R0331-34 | NRSA63J-101X | MG R | 100Ω 1/16W | J |
| R0371-74 | NRSA63J-103X | MG R | 10kΩ 1/16W | J |
| R0375-76 | NRSA63J-333X | MG R | 33kΩ 1/16W | J |
| R0377-78 | NRSA63J-472X | MG R | 4.7kΩ 1/16W | J |
| R0381 | NRSA63J-682X | MG R | 6.8kΩ 1/16W | J |
| R0382 | NRSA63J-223X | MG R | 22kΩ 1/16W | J |

| △ Symbol No. | Part No. | Part Name | Description | Local |
|-----------------|--------------|-----------|-------------|-------|
| RESISTOR | | | | |
| R0384-87 | NRSA63J-223X | MG R | 22kΩ 1/16W | J |
| R0391-92 | NRSA63J-221X | MG R | 220Ω 1/16W | J |
| R0393-94 | NRSA63J-823X | MG R | 82kΩ 1/16W | J |
| R0395-96 | NRSA63J-221X | MG R | 220Ω 1/16W | J |
| R0401 | NRSA63J-183X | MG R | 18kΩ 1/16W | J |
| R0402 | NRSA63J-223X | MG R | 22kΩ 1/16W | J |
| R0458 | NRSA63J-333X | MG R | 33kΩ 1/16W | J |
| R0459 | NRSA63J-183X | MG R | 18kΩ 1/16W | J |
| R0501-02 | NRSA63J-102X | MG R | 1kΩ 1/16W | J |
| R0503 | NRSA63J-221X | MG R | 220Ω 1/16W | J |
| R0504-05 | NRSA63J-102X | MG R | 1kΩ 1/16W | J |
| R0507-08 | NRSA63J-102X | MG R | 1kΩ 1/16W | J |
| R0509 | NRSA63J-221X | MG R | 220Ω 1/16W | J |
| R0510-11 | NRSA63J-102X | MG R | 1kΩ 1/16W | J |
| R0518 | NRSA63J-333X | MG R | 33kΩ 1/16W | J |
| R0519-21 | NRSA63J-750X | MG R | 75Ω 1/16W | J |
| R0522-23 | NRSA63J-224X | MG R | 220kΩ 1/16W | J |
| R0527 | NRSA63J-750X | MG R | 75Ω 1/16W | J |
| R0528-29 | NRSA63J-0R0X | MG R | 0.0Ω 1/16W | J |
| R0532-35 | NRSA63J-224X | MG R | 220kΩ 1/16W | J |
| R0558-61 | NRSA63J-0R0X | MG R | 0.0Ω 1/16W | J |
| R0564-65 | NRSA63J-0R0X | MG R | 0.0Ω 1/16W | J |
| R0566-67 | NRSA63J-331X | MG R | 330Ω 1/16W | J |
| R0568 | NRSA63J-0R0X | MG R | 0.0Ω 1/16W | J |
| R0571 | NRSA63J-101X | MG R | 100Ω 1/16W | J |
| R0573 | NRSA63J-272X | MG R | 2.7kΩ 1/16W | J |
| R0901 | NRSA63J-101X | MG R | 100Ω 1/16W | J |
| R0906 | NRSA63J-0R0X | MG R | 0.0Ω 1/16W | J |

CAPACITOR

| | | | | |
|----------|--------------|-----------|-------------|---|
| C0081 | NCB21HK-104X | C CAP. | 0.1μF 50V | K |
| C0082 | QENC1HM-475Z | BP E CAP. | 4.7μF 50V | M |
| C0083 | QENC1HM-105Z | BP E CAP. | 1μF 50V | M |
| C0084 | QETN1HM-225Z | E CAP. | 2.2μF 50V | M |
| C0085 | NCB21HK-473X | C CAP. | 0.047μF 50V | K |
| C0086 | QETN1HM-474Z | E CAP. | 0.47μF 50V | M |
| C0087-88 | NCB21HK-104X | C CAP. | 0.1μF 50V | M |
| C0089 | QBTC1CK-335Z | TAN.CAP. | 3.3μF 16V | K |
| C0090 | QETN1HM-105Z | E CAP. | 1μF 50V | M |
| C0091 | QBTC1CK-106Z | TAN.CAP. | 10μF 16V | K |
| C0092-93 | QETN1HM-105Z | E CAP. | 1μF 50V | M |
| C0094 | QETN1HM-475Z | E CAP. | 4.7μF 50V | M |
| C0095 | QETN1HM-105Z | E CAP. | 1μF 50V | M |
| C0151-52 | QENC1HM-105Z | BP E CAP. | 1μF 50V | M |
| C0153-54 | NCB31HK-332X | C CAP. | 3300pF 50V | K |
| C0155-56 | NCB21HK-333X | C CAP. | 0.033μF 50V | K |
| C0157-58 | QETN1HM-106Z | E CAP. | 10μF 50V | M |
| C0159 | QETN1EM-476Z | E CAP. | 47μF 25V | M |
| C0160 | NCB21HK-104X | C CAP. | 0.1μF 50V | K |
| C0309-10 | NCB31HK-102X | C CAP. | 1000pF 50V | K |
| C0311-12 | NRSA63J-0R0X | MG R | 0.0Ω 1/16W | J |
| C0331 | QETN1CM-107Z | E CAP. | 100μF 16V | M |
| C0332 | NCB31HK-103X | C CAP. | 0.01μF 50V | K |
| C0333 | QETN1EM-476Z | E CAP. | 47μF 25V | M |
| C0334 | NCB21HK-273X | C CAP. | 0.027μF 50V | K |
| C0335 | QETN1HM-225Z | E CAP. | 2.2μF 50V | M |
| C0336 | NCB31HK-222X | C CAP. | 2200pF 50V | K |
| C0337 | NCB21HK-104X | C CAP. | 0.1μF 50V | K |
| C0338 | QETN1HM-225Z | E CAP. | 2.2μF 50V | M |
| C0339 | NCB31HK-222X | C CAP. | 2200pF 50V | K |
| C0340 | NCB21HK-104X | C CAP. | 0.1μF 50V | K |
| C0343 | QETN1HM-105Z | E CAP. | 1μF 50V | M |
| C0344-45 | QENC1HM-225Z | BP E CAP. | 2.2μF 50V | M |
| C0371-72 | QENC1HM-105Z | BP E CAP. | 1μF 50V | M |
| C0373 | QETN1EM-476Z | E CAP. | 47μF 25V | M |
| C0391-92 | QETN1HM-474Z | E CAP. | 0.47μF 50V | M |
| C0401 | QETN1CM-107Z | E CAP. | 100μF 16V | M |
| C0402-03 | NCF21CZ-105X | C CAP. | 1μF 16V | Z |
| C0404 | QFV71HJ-224Z | MF CAP. | 0.22μF 50V | J |
| C0407 | QETN1EM-108Z | E CAP. | 1000μF 25V | M |
| C0410-11 | QETN1EM-108Z | E CAP. | 1000μF 25V | M |
| C0412-13 | QETN1HM-105Z | E CAP. | 1μF 50V | M |
| C0501-02 | NCB31HK-103X | C CAP. | 0.01μF 50V | K |
| C0503 | QETN1HM-226Z | E CAP. | 22μF 50V | M |

| △ Symbol No. | Part No. | Part Name | Description | Local |
|------------------|--------------|-----------|-------------|-------|
| CAPACITOR | | | | |
| C0504 | QETN1EM-476Z | E CAP. | 47μF 25V | M |
| C0505 | QENC1HM-474Z | BP E CAP. | 0.47μF 50V | M |
| C0508 | QETN1HM-474Z | E CAP. | 0.47μF 50V | M |
| C0509 | NCB31HK-103X | C CAP. | 0.01μF 50V | K |
| C0511 | QETN1HM-474Z | E CAP. | 0.47μF 50V | M |
| C0512-13 | QETN1HM-105Z | E CAP. | 1μF 50V | M |
| C0517 | QETN1HM-474Z | E CAP. | 0.47μF 50V | M |
| C0520-23 | QETN1HM-105Z | E CAP. | 1μF 50V | M |
| C0533-34 | NCB31HK-103X | C CAP. | 0.01μF 50V | K |
| C0538-39 | NCB31HK-103X | C CAP. | 0.01μF 50V | K |

COIL

| | | | | |
|----------|--------------|-----|-----------|---|
| L0001-02 | QRN143J-0R0X | C R | 0.0Ω 1/4W | J |
|----------|--------------|-----|-----------|---|

DIODE

| | | |
|----------|-----------|-------------|
| D0391-92 | UDZS10B-X | ZENER DIODE |
| D0501-05 | UDZS10B-X | ZENER DIODE |
| D0507-09 | UDZS10B-X | ZENER DIODE |
| D0511 | UDZS10B-X | ZENER DIODE |
| D0515-19 | UDZS10B-X | ZENER DIODE |
| D0521 | UDZS10B-X | ZENER DIODE |
| D0527-28 | UDZS10B-X | ZENER DIODE |

TRANSISTOR

| | | |
|----------|----------------|-----------------|
| Q0301-02 | DTC124EKA-X | DIGI.TRANSISTOR |
| Q0381-82 | DTC124EKA-X | DIGI.TRANSISTOR |
| Q0384-87 | DTC323TK-X | DIGI.TRANSISTOR |
| Q0453 | 2SC2412K/QR/-X | SI.TRANSISTOR |
| Q0454 | DTC124EKA-X | DIGI.TRANSISTOR |
| Q0509 | 2SC2412K/QR/-X | SI.TRANSISTOR |

IC

| | | |
|--------|-------------|----------------|
| IC0001 | UPC1851BCU | I.C.(MONO-ANA) |
| IC0151 | NJM2150AD | I.C.(MONO-ANA) |
| IC0371 | BA15218N | I.C.(MONO-ANA) |
| IC0381 | TC4066BP/N/ | I.C.(DIGI-MOS) |
| IC0401 | LA4485 | I.C.(MONO-ANA) |
| IC0501 | CXA2089Q-X | I.C.(MONO-ANA) |

OTHERS

| | | |
|----------|-------------|----------|
| J0501 | QNZ0454-001 | PIN JACK |
| J0502 | QNN0349-001 | PIN JACK |
| J0503-04 | QNN0348-001 | PIN JACK |

3D Y/C MODULE PW BOARD ASS'Y (SAC-0Y501A)

| △ Symbol No. | Part No. | Part Name | Description | Local |
|--------------|----------|-----------|-------------|-------|
|--------------|----------|-----------|-------------|-------|

OTHERS

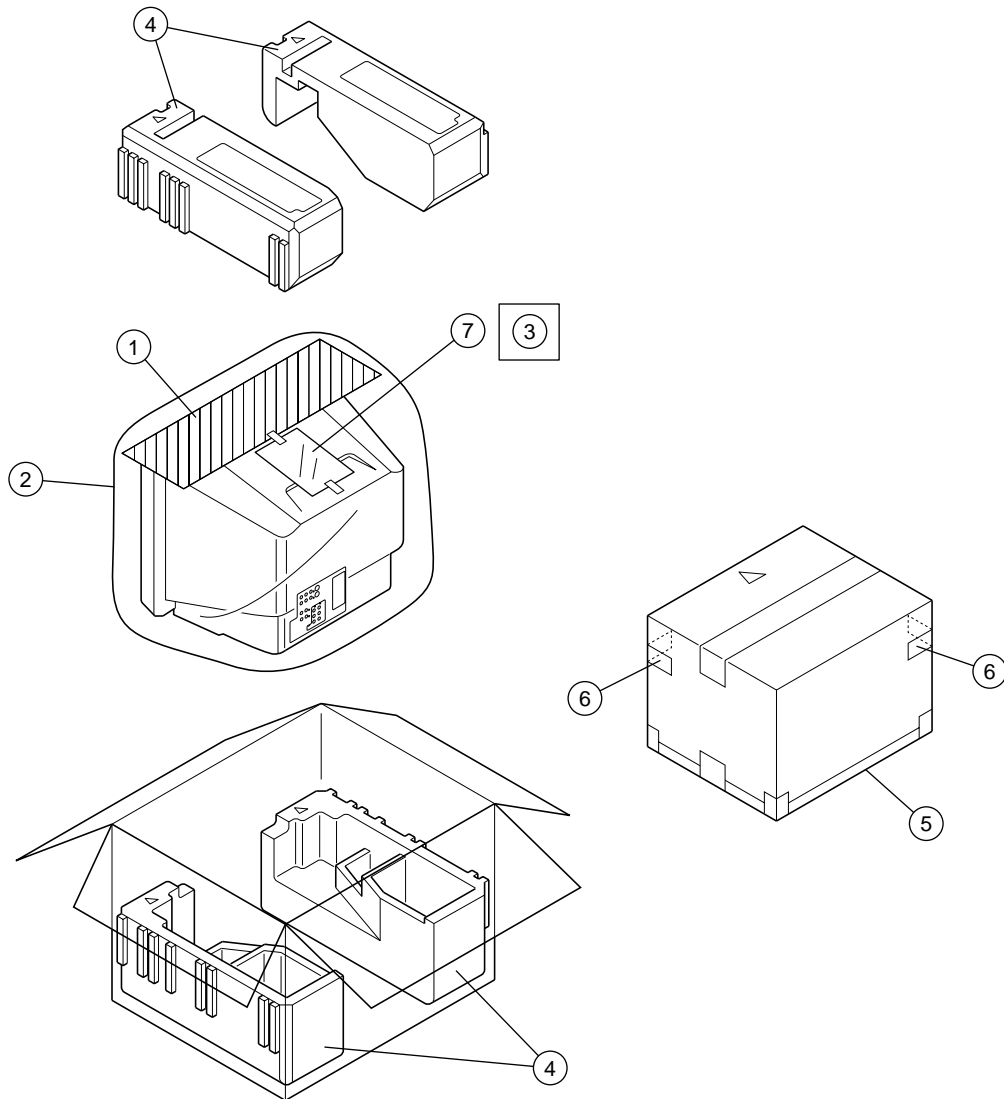
| | |
|------------|---------------|
| SAC-0Y501A | 3D Y/C MODULE |
|------------|---------------|

REMOTE CONTROL UNIT PARTS LIST (RM-C301G-2A)

| △ Symbol No. | Part No. | Part Name | Description | Local |
|--------------|----------|-----------|-------------|-------|
|--------------|----------|-----------|-------------|-------|

| | |
|-------------|---------------|
| UR52EC1286C | BATTERY COVER |
|-------------|---------------|

PACKING



PACKING PARTS LIST

| △ Ref.No. | Part No. | Part Name | Description | Local |
|-----------|----------------|--------------|--------------|-------|
| 1 | CP30055-001-A | TOP COVER | | |
| 2 | CP30056-008-A | POLY BAG | | |
| 3 | RM-C301G-2A | RC HAND UNIT | | |
| 4 | LC10884-002A-A | CUSHION ASSY | 4pcs in 1set | |
| 5 | LC10181-025A-A | PACKING CASE | | |
| 6 | CM36616-001-A | CORNER LABEL | 2pcs in 1set | |
| 7 | QPA02503505 | POLY BAG | | |